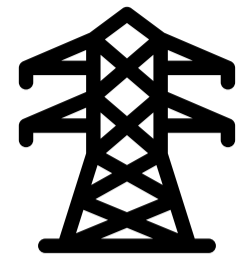
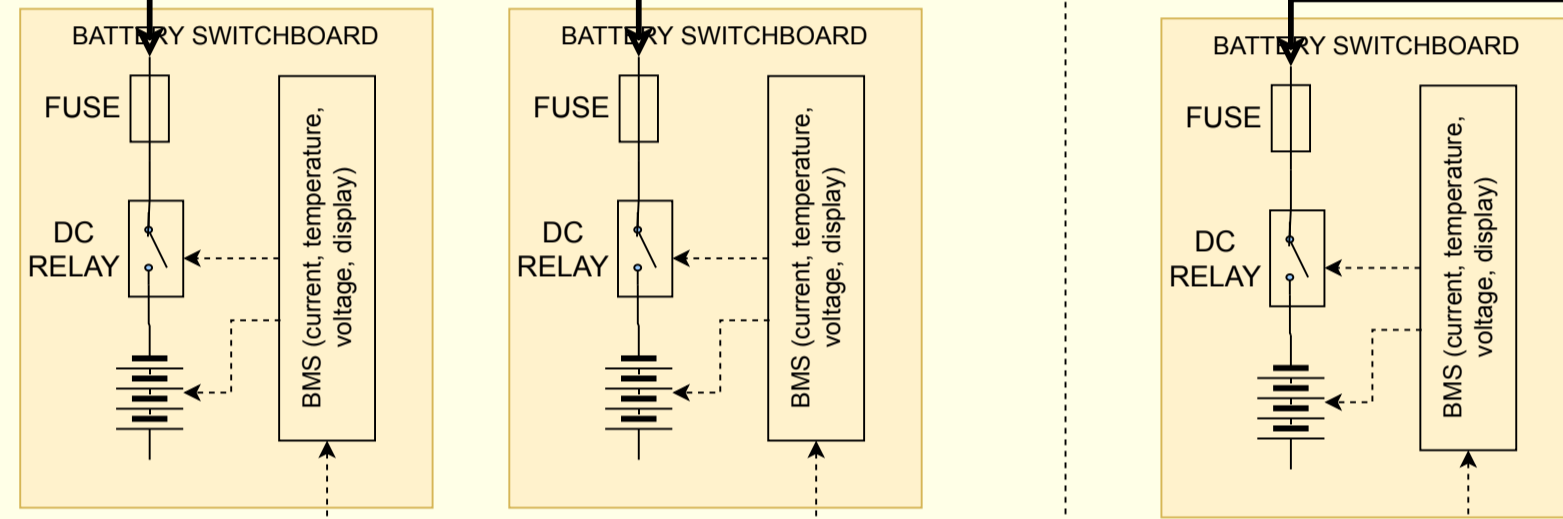
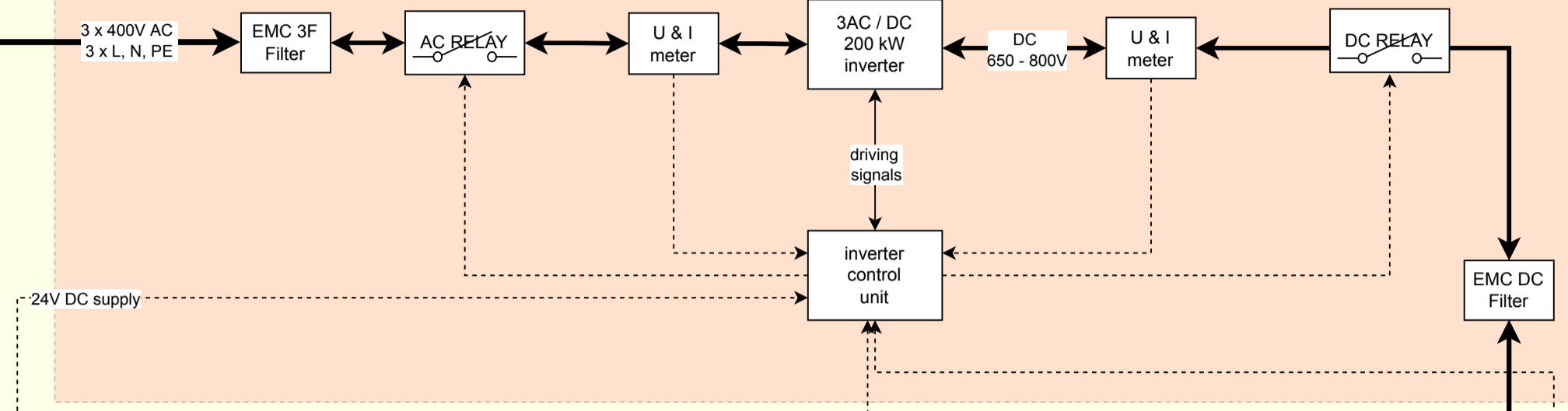


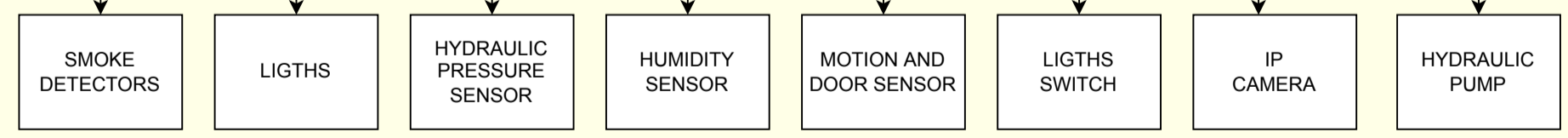
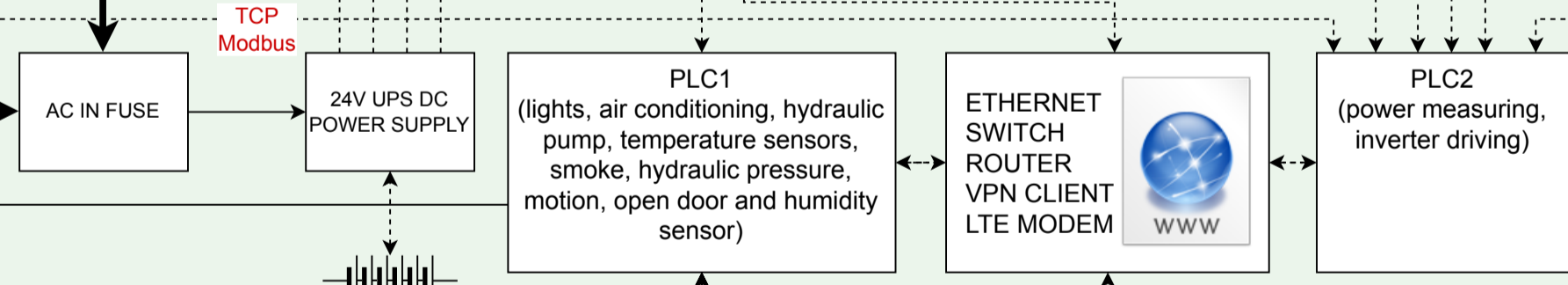
200 kWh AMVOLT CONTAINER



INVERTER SWITCHBOARD



MAIN BESS CONTROL SWITCHBOARD



external flashlight signalization



3F AC METER

TCP Modbus

3 x L + PEN

TCP Modbus

MODBUS: inverter - MBCU comm.

BMS MBCU comm

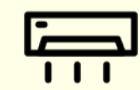
BMS - MBCU comm

BMS MBCU comm



DIVIZE SPOLEČNOSTI GWL A.S.

OUTDOOR AC UNIT



Air Conditioning unit